

PFM SERIES/AFM SERIES/IFM SERIES

Panel Mount/Panel Mount Adjustable/ Inline Flow Meters



Materiales de Construcción

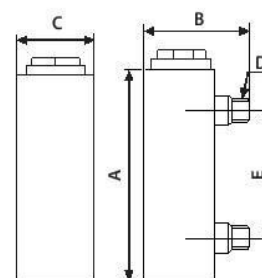
Cuerpo: Acrílico
O-Rings: EPDM
Conexiones: Polipropileno
Guía: Acero Inoxidable 304
Flota: Acero Inoxidable 304

Especificaciones Técnicas

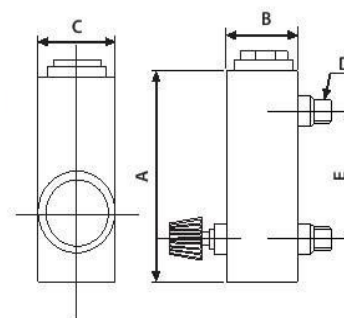
Presión Max: 120 PSI (827 KPA)
Temp. Max: 120°F (49°C)
Exactitud: +/- 5%



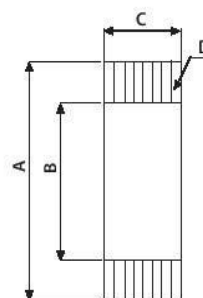
| SERIE PFM - ESPECIFICACIONES | | | | | | | |
|------------------------------|-------------|--------|-------------------------------|------|------|------------------|------|
| Número de Parte | Calibración | | Datos de Dimensión (Pulgadas) | | | | |
| | GPM | LPM | A | B | C | D (Adapter Size) | E |
| PFM-011 | 0.1~1 | 0.4~4 | 6.61 | 1.37 | 1.26 | 1/4" MNPT | 5.00 |
| PFM-022 | 0.2~2 | 0.8~8 | 8.11 | 2.75 | 1.26 | 3/8" MNPT | 6.50 |
| PFM-055 | 0.5~5 | 2~18 | 8.11 | 2.75 | 1.26 | 1/2" MNPT | 6.50 |
| PFM-210 | 2~10 | 8~37 | 8.66 | 3.66 | 1.54 | 3/4" MNPT | 6.50 |
| PFM-216 | 2~16 | 8~60 | 8.66 | 3.66 | 1.54 | 1" MNPT | 6.50 |
| PFM-424 | 4~24 | 15~378 | 9.44 | 3.86 | 1.73 | 1" MNPT | 6.50 |
| PFM-535 | 5~35 | 18~492 | 9.44 | 3.86 | 1.73 | 1" MNPT | 6.50 |



| SERIE AFM - ESPECIFICACIONES | | | | | | | |
|------------------------------|-------------|--------|-------------------------------|------|------|------------------|------|
| Número de Parte | Calibración | | Datos de Dimensión (Pulgadas) | | | | |
| | GPM | LPM | A | B | C | D (Adapter Size) | E |
| AFM-011 | 0.1~1 | 0.4~4 | 6.61 | 1.37 | 1.26 | 1/4" MNPT | 5.00 |
| AFM-022 | 0.2~2 | 0.8~8 | 8.11 | 2.75 | 1.26 | 3/8" MNPT | 6.50 |
| AFM-055 | 0.5~5 | 2~18 | 8.11 | 2.75 | 1.26 | 1/2" MNPT | 6.50 |
| AFM-210 | 2~10 | 8~37 | 8.66 | 3.66 | 1.54 | 3/4" MNPT | 6.50 |
| AFM-414 | 2~16 | 8~60 | 8.66 | 3.66 | 1.54 | 1" MNPT | 6.50 |
| AFM-620 | 4~24 | 15~378 | 9.44 | 3.86 | 1.73 | 1" MNPT | 6.50 |
| AFM-1035 | 5~35 | 18~492 | 9.44 | 3.86 | 1.73 | 1" MNPT | 6.50 |



| SERIE IFM - ESPECIFICACIONES | | | | | | | |
|------------------------------|-------------|---------|-------------------------------|-------|------|------------------|---|
| Número de Parte | Calibración | | Datos de Dimensión (Pulgadas) | | | | |
| | GPM | LPM | A | B | C | D (Adapter Size) | E |
| IFM-022 | 0.2~2 | 0.8~8 | 8.26 | 7.09 | 1.26 | 1/2" FNPT | |
| IFM-055 | 0.5~5 | 2~18 | 8.26 | 7.09 | 1.26 | 1/2" FNPT | |
| IFM-110 | 1~10 | 4~37 | 10.94 | 9.29 | 1.77 | 3/4" FNPT | |
| IFM-220 | 2~20 | 8~75 | 10.43 | 9.25 | 2.01 | 1" FNPT | |
| IFM-530 | 5~30 | 18~113 | 10.43 | 9.25 | 2.01 | 1" FNPT | |
| IFM-2060 | 20~60 | 75~227 | 12.05 | 9.25 | 2.01 | 1 1/2" MNPT | |
| IFM-20100 | 20~100 | 75~378 | 14.96 | 10.63 | 2.95 | 2" FNPT | |
| IFM-40120 | 40~120 | 151~454 | 14.96 | 10.63 | 2.95 | 2" FNPT | |
| IFM-50150 | 50~150 | 189~568 | 14.96 | 10.63 | 2.95 | 2" FNPT | |
| IFM-60200 | 60~200 | 227~757 | 14.96 | 10.63 | 2.95 | 2" FNPT | |



Flujómetros son probados y calibrados con agua solamente.

Distribuido por:

ACUATECH FLOWMETERS

ENGETEC -TRIWAN-QMI